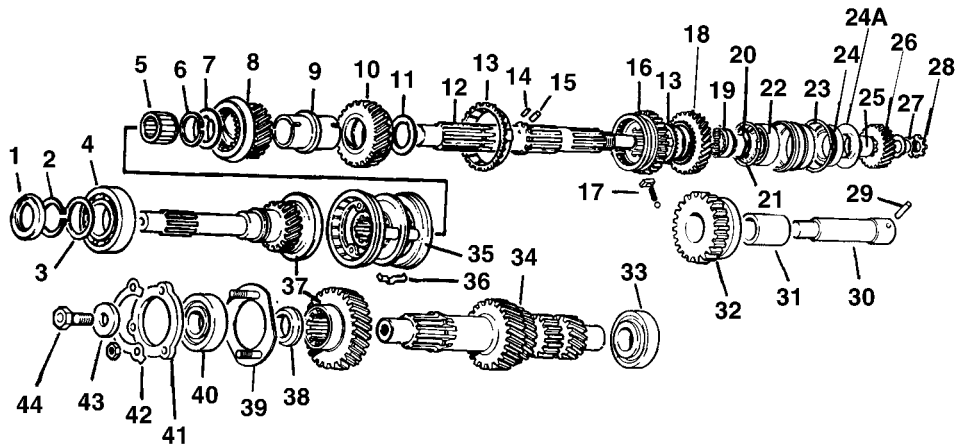


Transmission



TRANSMISSION COMPONENTS, SERIES III

Ref #	Description	Qty	Part #	Ref #	Description	Qty	Part #
1	Oil Seal, Primary Pinion	1	6709	24	Oil Seal, Transmission to Transfer Case	1	12
2	Circlip	1	1578	24A	Oil Thrower	1	1261
3	Shim, Front, 2.00 mm	as needed	6710	24A	Oil Thrower (from vehicle #3611752)	1	*NLA 1262
3	Shim, Front, 2.05 mm	as needed	6711	25	Distance Piece	1	5321
3	Shim, Front, 2.10mm	as needed	6712	26	Output Gear	1	6519
3	Shim, Front, 2.15mm	as needed	*NLA 6713	27	Locker, Output Gear	1	565
4	Bearing, Primary Pinion through "B"	1	*NLA 6242	28	Nut, Rear of Mainshaft	1	*NLA 1849
4	Bearing, Primary Pinion "C" on	1	287	29	Pin, Reverse Shaft	1	6759
5	Bearing, Front Mainshaft	1	180	30	Shaft, Reverse Gear	1	8017
6	Fixing Ring, 2nd & 3rd Gear	1	561	31	Bush, Reverse Gear	1	5604
7	Thrust Washer, 3rd Speed, .125"	as needed	557	32	Reverse Gear (includes bush)	1	8011
7	Thrust Washer, 3rd Speed, .128"	as needed	*NLA 558	33	Rear Bearing, Layshaft	1	289
7	Thrust Washer, 3rd Speed, .130"	as needed	559	34	Layshaft	1	8016
7	Thrust Washer, 3rd Speed, .135"	as needed	560	35	Synchronizing Clutch Assembly	1	6021
8	3rd Speed Gear	1	8009	36	Spring for Synchronizer	3	564
9	Distance Sleeve, 2nd & 3rd Gear	1	1179	37	Primary Pinions and Constant Gear Set	1	8010
10	2nd Speed Gear	1	8014	38	Distance Piece, .405"	as needed	6438
11	Thrust Washer, 2nd speed, .125"	as needed	6230	38	Distance Piece, .425"	as needed	6439
11	Thrust Washer, 2nd Speed, .128"	as needed	6231	38	Distance Piece, .445"	as needed	6141
11	Thrust Washer, 2nd Speed, .130"	as needed	6232	39	Stud Plate	1	*NLA 1267
11	Thrust Washer, 2nd Speed, .135"	as needed	6233	40	Bearing, Front Layshaft	1	5537
12	Mainshaft	1	7083	41	Retaining Plate, Front Layshaft Bearing	1	1264
13	Synchronizing Rings, 1st & 2nd	2	8012	42	Locker, Front Layshaft Bearing	1	5970
14	Peg, Larger	1	460	43	Washer, Front Layshaft	1	1592
15	Peg, Smaller	1	615	44	Bolt, Front Layshaft	1	1591
16	Reverse Sliding Gear on Mainshaft	1	8015	not shown	Roller Bearing in PTO Plate (rear Mainshaft into Transfer Box)	1	809
17	Block Holding Ball	1	7169	not shown	Transmission & Transfer Case III, Remanufactured	1	3813
17	Spring for Ball	1	6703	not shown	Transmission & Transfer Case IIA, Remanufactured	1	3812
17	Ball for Detent	1	8023	not shown	Transmission III, New-Special Order	1	68
18	First Speed Gear, (includes bush)	1	8013				
19	Bush for First Gear	1	8022				
20	Washer, First Gear	1	6747				
21	Circlip, Rear Bearing	1	1411				
22	Bearing, Rear Mainshaft	1	396				
23	Circlip, Bearing Housing to Casing	1	*NLA 1296				

*NLA = No longer available.

