

LIGHTING

REMARKS LEGEND -

Vehicle i.d. (v) numbers:

MA = 1991 model year;

NA = 1992 model year; PA = 1993 model year.

MONEY-SAVING KITS NOTED IN RED TYPE

Hella Vision Plus Replacement Headlights

Maximum Performance Halogen Conversion

Headlamps! The Hella Vision Plus dramatically improves headlamp performance.

Until now, headlamps with this level of performance were only available in Europe or for off-road and racing in the United States. The Hella Vision Plus is based on European headlamp technology, but conforms to SAE/DOT standards for street and highway use.

Hella Vision Plus Headlight Pair (9665)

Replacement Halogen Bulb (9667)



1 HEAD LAMP #9665

Sylvania Replacement Bulbs

"You'll never again see darkness in the same light" says Sylvania about their new SilverStar™ High Performance Halogen bulb. Comparable to those expensive High Intensity Discharge lights, this bulb simply replaces your current bulb to give you brighter, whiter light—up to 20% greater than standard halogen bulbs. If your bulbs are getting dim, upgrade them to SilverStar and see what you've been missing! Fits all H4 applications. *Call for more information.*

Sylvania Replacement Bulbs - Pair (9003STK)

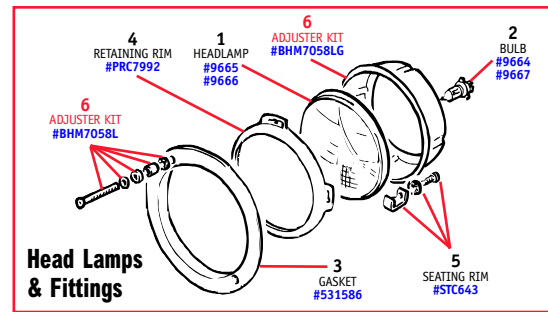


TECH TIP: Halogen Replacement Bulbs



Many of the original equipment and after-market lamps (such as Hella) have replacement halogen bulbs. Be very careful when handling these bulbs. **DO NOT TOUCH THE GLASS.** Oil from your skin can cause hot spots on the bulb and will cause it to burn out very quickly. Cleaning the bulbs with alcohol prior to installation is a worthwhile precaution.

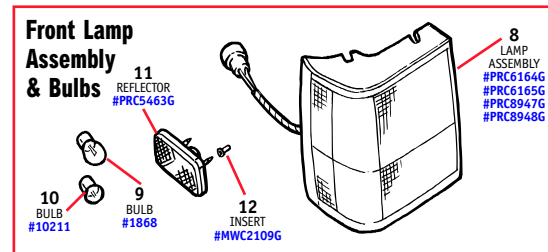
Ill. No.	Part No.	Description	Qty. Rqd.
----------	----------	-------------	-----------



Ill. No.	Part No.	Description	Qty. Rqd.
1	9665	HEADLAMP, halogen, pair Conform to SAE/DOT standards	1
	9666	HEADLAMP, halogen Conforms to SAE/DOT standards	2
2	9664	BULB, halogen H4, standard, 60/55 watt	2
	9667	BULB, halogen H4, off-road only, blue type 100/55 watt	2
3	531586	GASKET, headlamp mounting Up to (v) NA models	2
4	PRC7992	RETAINING RIM, headlamp, chrome May be used on all models	2
5	STC643	SEATING RIM, headlamp Up to (v) NA models	2
6	BHM7058L	ADJUSTER KIT, headlamp Up to (v) NA models	2

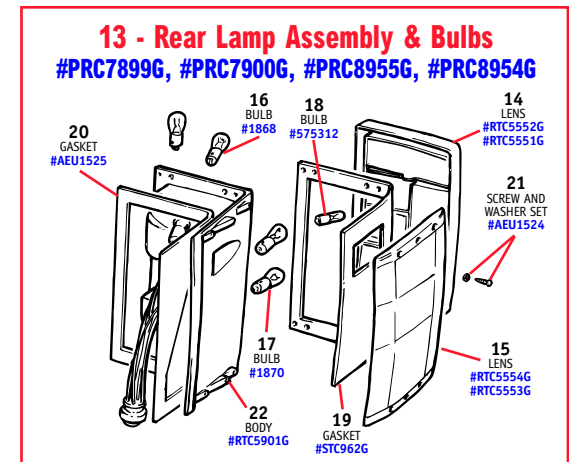


7	PRC8238	DRIVING LAMP SET, pair, Wipac Up to (v) NA models	1
---	---------	--	---

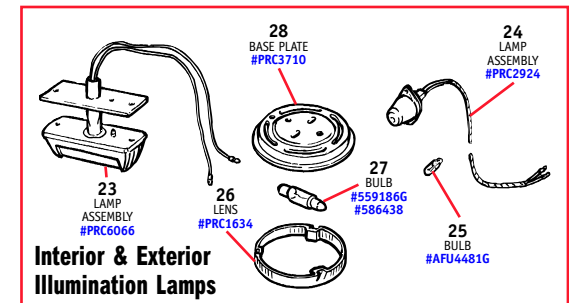


8	PRC6164G	LAMP ASSEMBLY, front turn/side, RH Up to (v) MA610293	1
	PRC6165G	LAMP ASSEMBLY, front turn/side, LH Up to (v) MA610293	1
	PRC8947G	LAMP ASSEMBLY, front turn/side, RH From (v) NA610294 on	1
	PRC8948G	LAMP ASSEMBLY, front turn/side, LH From (v) NA610294 on	1
9	1868	BULB, turn indicator	2
10	10211	BULB, front sidelights	2
11	PRC5463G	REFLECTOR, front wing	2
12	MWC2109G	INSERT, reflector mounting	4

Ill. No.	Part No.	Description	Qty. Rqd.
----------	----------	-------------	-----------



13	PRC7899G	LAMP ASSEMBLY, rear, stop/tail, LH Up to (v) MA610293	1
	PRC7900G	LAMP ASSEMBLY, rear, stop/tail, RH Up to (v) MA610293	1
	PRC8955G	LAMP ASSEMBLY, rear, stop/tail, LH From (v) NA610294 on	1
	PRC8954G	LAMP ASSEMBLY, rear, stop/tail, RH From (v) NA610294 on	1
14	RTC5552G	LENS, rear lamp, stop/tail, LH	1
	RTC5551G	LENS, rear lamp, stop/tail, RH	1
15	RTC5554G	LENS, rear lamp, side reflex, LH	1
	RTC5553G	LENS, rear lamp, side reflex, RH	1
16	1868	BULB, turn indicator	2
17	1870	BULB, stop/tail	2
18	575312	BULB, side reflex	2
19	STC962G	GASKET, lenses to rear lamp body	2
20	AEU1525	GASKET, rear lamp body to vehicle body	2
21	AEU1524	SCREW AND WASHER SET, lens securing Contains all the screws for the tail lamp lenses	2
22	RTC5901G	BODY, rear stop/tail lamp, RH	1



23	PRC6066	LAMP ASSEMBLY, number plate	2
24	PRC2924	LAMP ASSEMBLY, under hood	2
25	AFU4481G	BULB, under hood lamp	2
26	PRC1634	LENS, interior lamp Qty decreases from (v) PA models on	2/1
27	559186G	BULB, interior lamp Up to (v) NA models	2
	586438	BULB, interior lamp From (v) PA models on	1
28	PRC3710	BASE PLATE, interior lamp Up to (v) NA models	2