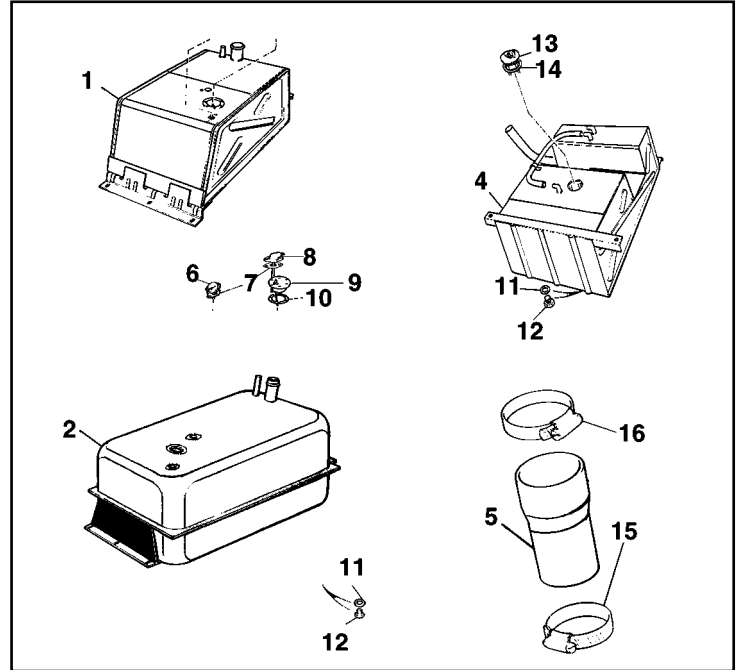


## FUEL PUMP

Ref #	Description	Qty	Part #
1	<b>MECHANICAL FUEL PUMPS, COMPLETE</b>		
	<b>FUEL PUMP FOR 2-1/4 LITRE PETROL</b>	1	5471
not shown	Fuel Pump for 2 & 2-1/4 Litre Diesel, Through Engine Suffix J.	1	5518
not shown	Fuel Pump for 2-1/4 Litre Diesel, Suffix K on	1	5806
	<b>ELECTRIC FUEL PUMPS, COMPLETE</b>		
not shown	Electric Fuel Pump for 2 Litre Petrol	1	*NLA 1801
not shown	Electric Fuel Pump for 2.6 Litre (6 cyl.) Petrol	1	5828
2	Retainer	1	5294
3	Filter Screen	1	5293
4	Gasket	1	780
5	Sediment Bowl	1	1054
6	Fuel Pump Gasket	1	44
8	Fuel Line – Pump to Tank – Petrol	1	235
9	Fuel Line – Pump to Carburetor – Petrol	1	234
	<b>FUEL PUMP PARTS &amp; REPAIR KITS</b>		
→	<b>FUEL PUMP OVERHAUL KIT FOR #5471 MECHANICAL PUMP</b>	KIT	1407
→	<b>FUEL PUMP O/H KIT FOR #5518 &amp; #5806 PUMPS</b>	KIT	5764
not shown	Diaphragm Complete for #5828 Pump (2 required) and #1801 pump (1 used)		6989
not shown	Contact Set complete (points) for #1801 & #5828:		
	#1801 Pump - one set required		607
	#5828 Pump - two sets required		607
	Fuel Filter In Line		3203

**Some items in this section may be available on a special order basis or phone-order only. Please call for pricing and availability.**



## FUEL TANK

Ref #	Description	Qty	Part #
1	Fuel Tank, 88" & 109 Pickup 1 2847		
2	Fuel Tank, "New Style" 88" & 109 Pickup (Stamped Version)	1	2835
not shown	Fuel Tank, Auxilliary	1	2843
4	Fuel Tank, 109 Station Wagon	1	2845
5	Filler Neck, all 88" & 109 Regular	1	5468
6	Fuel Return Pipe, Diesel only	1	*NLA 8167
7	Gasket	2	3754
8	Pick up Pipe	1	444
9	Sending Unit, 88" & 109 Regular "D" on	1	6049
9	Sending Unit, 88" & 109 Regular thru "C"	1	*NLA 3024
10	Gasket, Sending Unit	1	413
11	Washer, Fuel Tank Plug	1	1293
12	Fuel Tank Plug	1	6607
13	Sending Unit, 109 Suffix "D" on	1	6065
13	Sending Unit, 109 Thru "C"	1	*NLA 5408
14	Gasket, Sending Unit	1	413
15	Clamp, for Filler Neck	1	999
16	Clamp	1	5453
not shown	Seal, Foam Rubber, for Fuel Tank Neck	1	5469
not shown	Fuel Gauges - See Instruments		
	Note: Suffix "C" has an Ammeter on Panel		
not shown	Filler Cap - 3 lugs, outside edge	1-Ser III	2851
not shown	Filler Cap, 3 lugs, inside edge	1	1351
not shown	Filler Cap, 2 lug	1	1865
not shown	Sealing Ring, Caps 1865 & 2851	1	5524
not shown	Chain, for Filler Cap	1	*NLA 1387
not shown	Locking Hasp for Gas Cap	1	2822
not shown	Filler Hose, 109 Station Wagon	1	101
→	<b>FUEL TANK GASKET KIT</b>	KIT	413K
	(INCLUDES: SENDING UNIT GASKET #413, 2 GASKETS #3754, 6 SCREWS AND 6 WASHERS)		

\*NLA = No longer available.