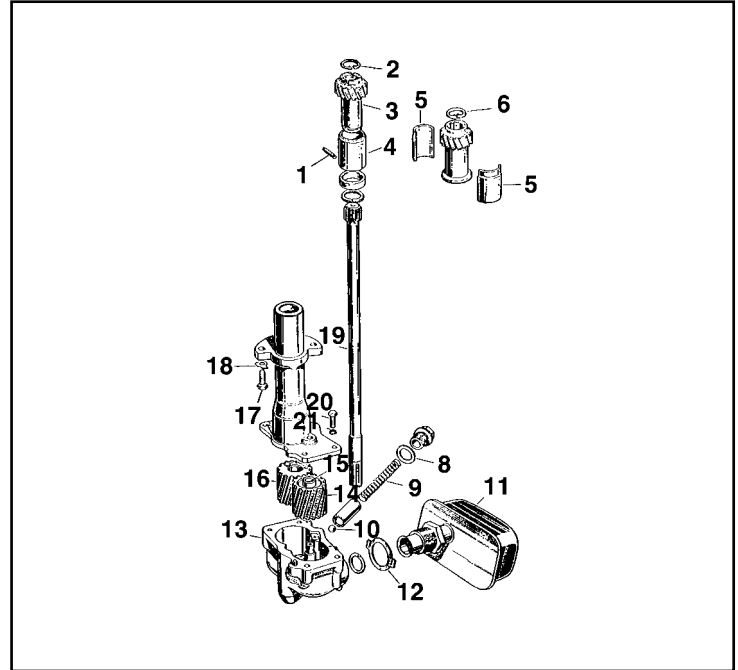


## OIL PAN, COVERS AND CAPS

Ref #	Description	Qty	Part #
1	Oil Filler Cap - Breather Type	1	5119
2	Oil Filler Cap - Later Style	1	5773
3&4	Joint Washer for Oil Filler Tube	2	950
5	Drain Plug for Crankcase	1	1802
6	Washer for Drain Plug	1	1391
7	Joint Washer for Side Cover Rear	1	951
8	Dip Stick	1	6297
9	Tube for Dipstick	1	96
10	Sealing Ring for Rod	1	308
11	Oil Pan Gasket	1	949
12	Spring Washer, Oil Pan	22	5690
13	Joint Washer Water Inlet	1	6189
14	Front Cover Gasket	1	952
15	Oil Seal for Front Cover	1	3
16	Spring Washer, Front Cover	15	5690
17	Spring Washer, Front Side Cover	7	5690
18	Bolt, Front Side Cover	7	1509
not shown	Spring Washer, rear Side Cover	6	5690
not shown	Bolt Rear Side Cover	6	5504



## OIL PUMP

Ref #	Description	Qty	Part #
	OIL PUMP ASSEMBLY	1	3785
1	Locating Screw for Drive Shaft	1	218
2	Circlip for Drive Shaft	1	1307
3	Drive Shaft Assembly	1	3783
4	Bush for Drive Shaft Gear	1	6137
5	Split Bush for Drive Shaft Gear	1	1804
6	Circlip for Drive Shaft	1	1307
8	Washer	1	*NLA 1397
9	Spring for Oil Pressure Release 1 5883		
9	Spring for Oil Pressure Release - 2.6 Litre	1	6391
10	Steel Ball (2-1/4 Litre)	1	939
10	Steel Ball (2.6 Litre)	1	6390
11	Oil Filter for Pump	1	1477
12	Lock Washer	1	5197
13	Oil Pump Body	1	218
14	Oil Pump Gear, Idler (2-1/4 & 2.6)	1	6366
15	Bush for Idler Gear	1	727
16	Oil Pump Gear, Driver (2-1/4 & 2.6)	1	6367
17	Set Bolt	2	5504
18	Lockwasher	2	3068
19	Drive Shaft	1	*NLA 4780
20	Set Bolt	4	1510
21	Spring Washer	4	5690

\*NLA = No longer available.