

Ill. No.	Part No.	Description	Qty. Rqd.
----------	----------	-------------	-----------

OIL COOLERS

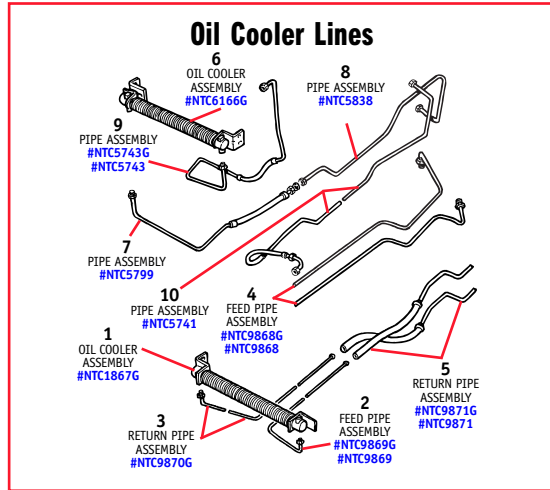
REMARKS LEGEND -

Engine (e) numbers:

31D = 3.5 liter; 38D = 3.9 liter through 1992;
36D = 3.9 liter from 1993; 40D = 4.2 liter.

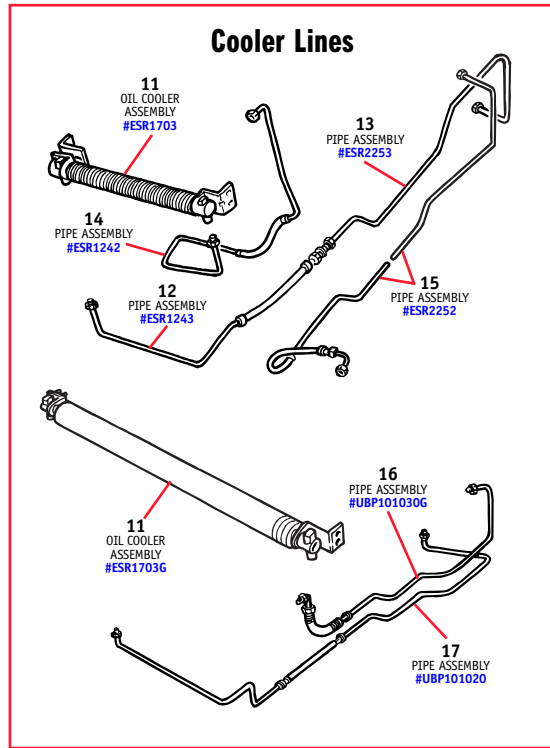
Vehicle i.d. (v) numbers:

KA = 1989 model year; LA = 1990 model year;
MA = 1991 model year; NA = 1992 model year;
RA = 1994 model year; SA = 1995 model year.



1	NTC1867G	OIL COOLER ASSY, Transmission (e) 31D engines	1
2	NRC9869G	FEED PIPE ASSY, front, yellow, 287mm, genuine (e) 31D engines	1
	NRC9869	FEED PIPE ASSY, front, yellow, 287mm (e) 31D engines	1
3	NRC9870G	RETURN PIPE ASSY, front, blue, 519mm, genuine (e) 31D engines	1
4	NRC9868G	FEED PIPE ASSY, rear, yellow, 1000mm, genuine (e) 31D engines	1
	NRC9868	FEED PIPE ASSY, rear, yellow, 1000mm (e) 31D engines	1
5	NRC9871G	RETURN PIPE ASSY, rear, blue, 1014mm, genuine (e) 31D engines	1
	NRC9871	RETURN PIPE ASSY, rear, blue, 1014mm (e) 31D engines	1
6	NTC6166G	OIL COOLER ASSY, Transmission (e) 38D engines	1
7	NTC5799	PIPE ASSY, cooler to transmission, front (e) 38D engines	1
8	NTC5838G	PIPE ASSY, cooler to transmission, rear, genuine (e) 38D engines	*NLA
	NTC5838	PIPE ASSY, cooler to transmission, rear (e) 38D engines	1
9	NTC5743G	PIPE ASSY, cooler to radiator, genuine (e) 38D engines	1
	NTC5743	PIPE ASSY, cooler to radiator (e) 38D engines	1
10	NTC5741	PIPE ASSY, radiator to transmission (e) 38D engines	1
	9355	PIPE KIT, transmission cooler Fits '89 through '92 model years (includes #'s 7, 8, 9 & 10)	1
	9355A	PIPE KIT, transmission cooler Fits '93 through '94 model years (not shown)	1
	9355B	PIPE KIT, transmission cooler Fits '95 model year (not shown)	1

Ill. No.	Part No.	Description	Qty. Rqd.
----------	----------	-------------	-----------



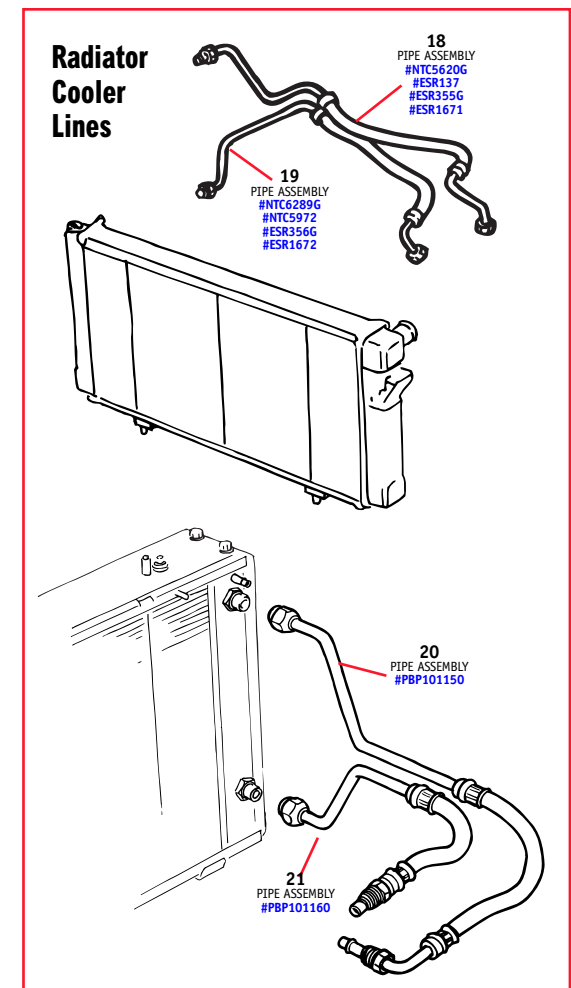
11	ESR1703	OIL COOLER ASSY, Transmission (e) 36D and 40D engines	1
12	ESR1242	PIPE ASSY, cooler to transmission, front (e) 36D and 40D engines; up to (v) RA647649	1
13	ESR2253	PIPE ASSY, cooler to transmission, rear (e) 36D and 40D engines; up to (v) RA647649	1
14	ESR1242	PIPE ASSY, cooler to radiator (e) 36D and 40D engines; up to (v) RA647649	1
15	ESR2252	PIPE ASSY, radiator to transmission (e) 36D and 40D engines; up to (v) RA647649	1
16	UBP101030G	PIPE ASSY, cooler to transmission, upper (e) 36D and 40D engines; from (v) SA647650 on	1
17	UBP101020	PIPE ASSY, cooler to transmission, lower (e) 36D and 40D engines; from (v) SA647650 on	1

*NLA = No Longer Available

PRICES SUBJECT TO CHANGE.
Call for the Latest Pricing and Availability.

Ill. No.	Part No.	Description	Qty. Rqd.
----------	----------	-------------	-----------

18	NTC5620G	PIPE ASSY, engine to radiator, upper (e) 38D engines; up to (v) KA399972	1
	ESR137	PIPE ASSY, engine to radiator, upper (e) 38D engines; from (v) LA441482 to MA610293	1
	ESR355G	PIPE ASSY, engine to radiator, upper (e) 38D engines; from (v) NA610294 on	1
	ESR1671	PIPE ASSY, engine to radiator, upper (e) 36D and 40D engines; up to (v) RA647649	1
19	NTC6289G	PIPE ASSY, engine to radiator, lower (e) 38D engines; up to (v) KA399972	1
	NTC5972	PIPE ASSY, engine to radiator, lower (e) 38D engines; from (v) LA399973 to MA610293	1
	ESR356G	PIPE ASSY, engine to radiator, lower (e) 38D engines; from (v) NA610294 on	1
	ESR1672	PIPE ASSY, engine to radiator, lower (e) 36D and 40D engines; up to (v) RA647649	1
20	PBP101150	PIPE ASSY, engine to radiator, upper (e) 36D and 40D engines; from (v) SA647650 on	1
21	PBP101160	PIPE ASSY, engine to radiator, lower (e) 36D and 40D engines; from (v) SA647650 on	1



TO ORDER, CALL **1-800-533-2210**