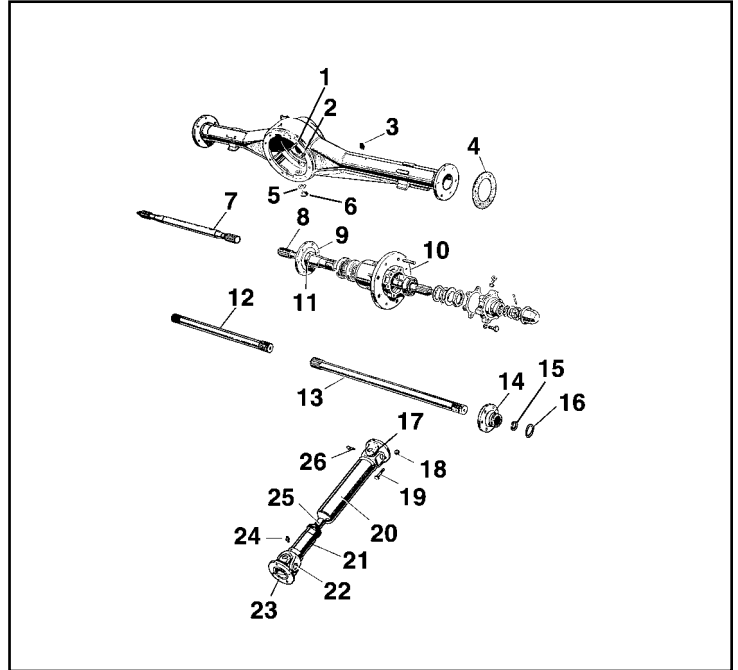
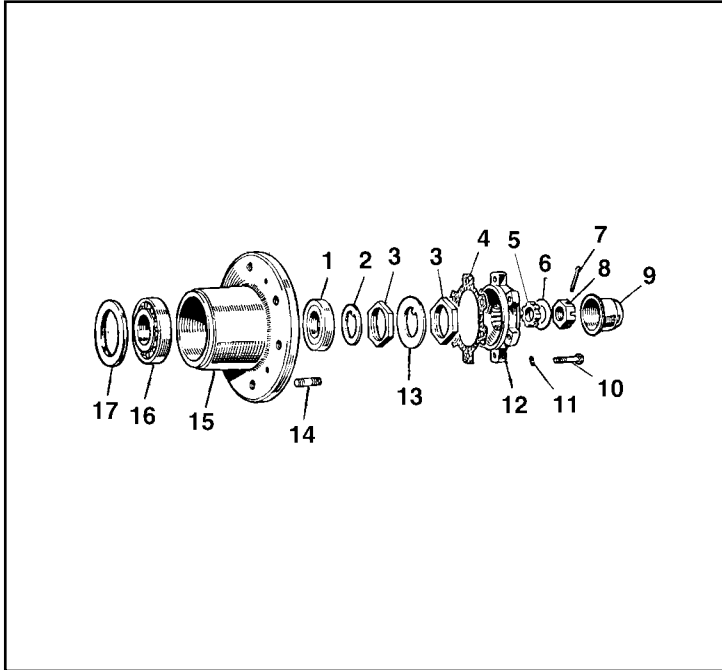


# Axles & Hubs



## HUB ASSEMBLY FRONT & REAR

Ref #	Description	Qty	Part #
→	<b>FREE WHEELING HUB KIT (2 HUBS)</b>	<b>KIT</b>	<b>2128</b>
→	<b>HUB RESEAL KIT</b> (INCLUDES: 1 EACH #330, #880, #879, #1223 AND #217353)	<b>KIT</b>	<b>330K</b>
1	Bearing, Hub Outer	4	265
2	Key Washer	4	61
3	Special Nut	8	FRC8700
4	Joint Washer	4	879
5	Oil Seal for Stub Shaft	4	880
6	Washer	4	5736
7	Split Pin	4	5229
8	Slotted Nut	4	183
9	Hub Cap	4	415
10	Bolt Member to Front Hub	24	18
11	Spring Washer	24	3096
12	Drive Member, Grease Packed type	4	5891
13	Locker	4	217353
14	Stud for Road Wheel, Serrated Head Type	20	7021
14	Stud for Road Wheel, Series III, Serrated Head Type, Metric Threads.	20	6750
not shown	Lug Nut, Series III, 1 1/16"	20	6738
not shown	Lug Nut, Series IIA 1 1/16"	20	6337
not shown	Lug Nut, Series I, II, IIA 15/16"	20	16
15	Hub Assembly, Metric Threads, (Series III Type, Earlier Style NLS)	4	7201
16	Bearing, Hub, Inner	4	264
17	Oil Seal, Inner Bearing, Rubber	4	330
17	Oil Seal, Inner Bearing, Leather	4	6314
not shown	Hub Nut Socket	1	606435
not shown	Lug Wrench 1-1/6"	1	NTC 7829

\*NLA = No longer available.

## REAR AXLE & PROPELLER SHAFT

Ref #	Description	Qty	Part #
→	<b>AXLE KIT</b>	<b>KIT</b>	<b>882</b>
	Includes: 1 - #244 Long Axle, 1 - #243 Short Axle, 1 - #881 Fixing Kit		
→	<b>AXLE FIXING KIT</b>	<b>KIT</b>	<b>881</b>
	Includes: 2 - #5229; 2 - #880; 1 - #877; 2 - #879		
1	Special Stud, Long	6	6179
2	Special Stud, Short	4	6178
3	Breather	1	6524
4	Joint Washer, Bearing Sleeve	2	1547
5	Joint Washer, Drain Plug	1	1293
6	Drain Plug	1	6607
7	Axle Shaft, RH (shorter)	1	243
8	Axle Shaft, LH (longer)	1	244
9	Bearing Sleeve	2	*NLA 6285
10	Hub Assembly - See Hub Assembly		
11	Distance Piece for Bearing Sleeve	2	1223
12	Axle Shaft, RH, Env. Type Axle (109 opt)	1	6748
13	Axle Shaft, LH, Env. Type Axle (109 opt)	1	6749
14	Driving Member, Env. Type Axle (109 opt)	2	4900
15	Circlip, Env. Type Axle (109 opt)	2	1236
16	O Ring, Env. Type Axle (109 opt)	2	1231
17	Universal Joint, 2-15/16" Cap to Cap	2	286
18	Nut, Self Locking 3/8" UNF	8	1389
19	Bolt, 3/8" UNF, 1 1/8" long	8	2910
20	Propeller Shaft Assembly, Rear '88	1	5311
20	Propeller Shaft Assembly, Rear 109	1	3038
20	Propeller Shaft Assembly, Rear 109, 2.6 Litre (special order)	1	*NLA 5945
21	Splined Stub Shaft, Female End	1	5436
22	Circlip, For Universal Joints	8	1454
23	Flange	2	5437
24	Grease Nipple, Shaft Sleeve	1	*NLA 28
25	Splined Stub Shaft, Male, Weld-in	1	5579
26	Grease Nipple, Universal Joint	2	*NLA 1425