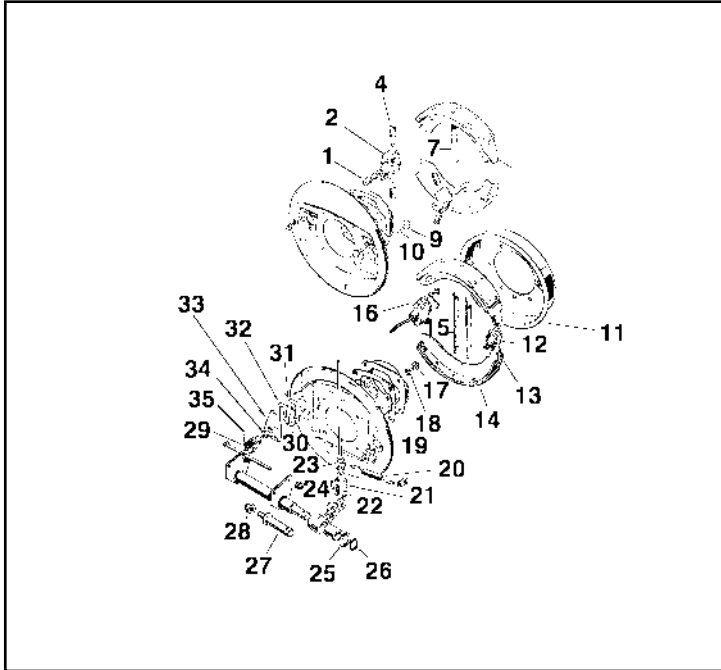


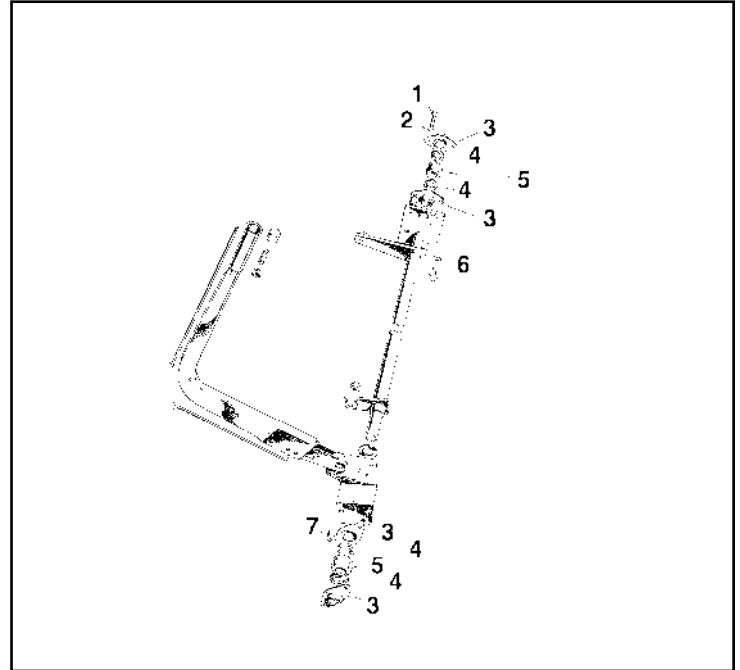
Transmission & Hand Brake



TRANSMISSION BRAKE

| Ref # | Description | Qty | Part # |
|-------|--------------------------------|-----|-----------|
| 1 | Expander Core | 1 | 1374 |
| 2 | Expander Housing | 1 | 449 |
| 4 | Plunger, for Expander | 2 | 1373 |
| 7 | Brake Spring | 2 | 5172 |
| 9 | Nut | 4 | 1305 |
| 10 | Spring Washer | 4 | 3096 |
| 11 | Brake Drum, Transmission Brake | 1 | 1561 |
| 12 | Adjuster Unit | 1 | 5663 |
| 13 | Brake Shoes, Pair, Bonded | 1 | 5827 |
| 14 | Linings, Complete with Rivets | 2 | *NLA 5170 |
| 15 | Brake Spring | 2 | 5172 |
| 16 | Expander Unit Assembly | 1 | 5428 |
| 17 | Nut, (3/8" BSF) | 4 | 1305 |
| 18 | Spring Washer | 4 | 3096 |
| 19 | Nut, (1/4" BSF) | 2 | 1192 |
| 20 | Return Spring, Brake Rod | 1 | 410 |
| 21 | Clevis Fork | 1 | 6248 |
| 22 | Clevis Pin, complete | 1 | 5887 |
| 23 | Lock Nut, (5/16 UNF) | 3 | 1436 |
| 24 | Split Pin | 2 | 6871 |
| 25 | Washer | 1 | 5009 |
| 26 | Circlip | 1 | 570 |
| 27 | Shaft, for Relay Lever | 1 | 5008 |
| 28 | Nut, (3/8" UNF) | 1 | 5005 |
| 29 | Clevis, Complete | 1 | 6220 |
| 30 | Locking Plate | 1 | 6589 |
| 31 | Retaining Spring | 1 | 6590 |
| 32 | Packing Plate | 1 | 6588 |
| 33 | Dust Cover | 1 | 5879 |
| 35 | Split Pin | 1 | 6871 |

*NLA = No longer available.



HAND BRAKE LEVER

| Ref # | Description | Qty | Part # |
|-----------|---|-----|-----------|
| 1 | Set Bolt, (5/16" x 7/8) | 2 | 1510 |
| 2 | Spring Washer | 4 | 5690 |
| 3 | Housing, Cross Shaft Bearing | 4 | 6431 |
| 4 | Felt Ring for Bearing | 4 | 476 |
| 5 | Spherical Bearing for Cross Shaft | 2 | 827 |
| 6 | Spring Washer | 4 | 3096 |
| 7 | Distance Piece | 2 | *NLA 1642 |
| not shown | Rubber Boot, Parking Brake Lever (rectangular Hole) | 1 | 6356 |

*NLA = No longer available.

Brakes

BRAKES - DRUMS, LININGS, KITS & CYLINDERS

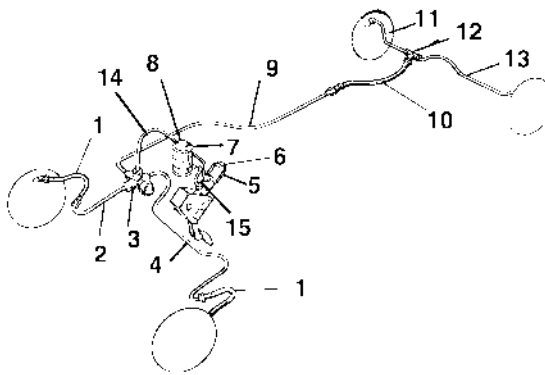
*NLA = No longer available.

| Application | Description | FRONT | | | | REAR | | | |
|--|--|------------|---------------|-------------|---------------|------------|---------------|------------|---------------|
| | | Left Front | Rebuild Kit # | Right Front | Rebuild Kit # | Left Rear | Rebuild Kit # | Right Rear | Rebuild Kit # |
| 86 & 88 | BRAKE REBUILDING KIT FRONT | 3151 | | | | | | | |
| 86 & 88 | BRAKE REBUILDING KIT REAR | | | | | 3152 | | | |
| 109, 4 CYL | BRAKE REBUILDING KIT FRONT | 3153 | | | | | | | |
| 109, ALL | BRAKE REBUILDING KIT REAR | | | | | 3155 | | | |
| 109, 6 CYL. | BRAKE REBUILD KIT, FRONT | 3154 | | | | | | | |
| *Includes: 2 pairs of Bonded Brake Shoes, 2 Wheel Cylinder Rebuild Kits, 2 Bleed Screws, 1 12 oz. can of Castrol Fluid | | | | | | | | | |
| BRAKE SHOES | | | | | | | | | |
| 86 & 88 | Bonded Linings, Axle Set | 5358 | | set | | 5358 | | set | |
| 109, 4 Cyl. | Bonded Linings, Axle Set | 5902 | | set | | 5949 | | set | |
| 109, 6 cyl. | Bonded Linings, Axle Set | 6904 | | set | | 5949 | | set | |
| 86 & 88 | Linings w/rivets, all - 4 Required per Axle | *NLA 5314 | | *NLA 5314 | | *NLA 5314 | | *NLA 5314 | |
| 109, 4 Cyl. | Linings w/rivets, Front, 4 required per Axle | *NLA 5233 | | *NLA 5233 | | *NLA 5234 | | *NLA 5234 | |
| 109, 6 cyl. | Linings w/rivets, Front, 4 required per Axle | *NLA 5790 | | *NLA 5790 | | *NLA 5234 | | *NLA 5234 | |
| BRAKE DRUMS | | | | | | | | | |
| 88, 10" 48-71 | Brake Drums | 3019 | | 3019 | | 3019 | | 3019 | |
| 88, 10" 71 on | Brake Drums | 7850 | | 7850 | | 7850 | | 7850 | |
| 109 4 Cyl. | Brake Drums | 3022 | | 3022 | | 3022 | | 3022 | |
| 109 6 Cyl. | Brake Drums | 6585 | | 6585 | | 3022 | | 3022 | |
| ALL | Drum Screw | 437 | | 437 | | 437 | | 437 | |
| 86 & 88 | Replacement | 800 | 1943 | 801 | 1943 | 802 | 1880 | 803 | 1880 |
| 86 & 88 | Girling | 1875 | 1943 | 1876 | 1943 | 1877 | 1880 | 1878 | 1880 |
| 107&109 | 11" Brakes, 55-61 - Girling | 1914 (2) | 1941 | 1915 (2) | 1941 | 1863 | 1942 | 1864 | 1942 |
| | Replacement | | 800 | 1943 | 801 | 1943 | | | |
| 107 & 109 | '61 on 4 cyl. - Girling | 1914 (2) | 1941 | 1915 (2) | 1941 | 1875 | 1943 | 1876 | 1943 |
| | Replacement | | | | 800 | 1943 | 801 | 1943 | |
| 109 6 cyl. | Wheel Cylinder | 5924 | 5678 | 5925 | 5678 | 1875 | 1943 | 1876 | 1943 |
| ALL | Bleed Screw | 5798 | | 5798 | | 5798 | | 5798 | |
| 88 ALL | WHEEL CYLINDER KIT (FOUR WHEELS) | 804 | | 804 | | 804 | | 804 | |
| Includes: 1 - #800, 1 - #801, 1 - #802, 1 - #803 | | | | | | | | | |
| BACKING PLATES | | | | | | | | | |
| 88" | Backing Plate | *NLA 3102 | | 3103 | | *NLA 3102 | | 3103 | |
| 109 | Backing Plate | 3104 | | 3105 | | *NLA 3106 | | *NLA 3107 | |

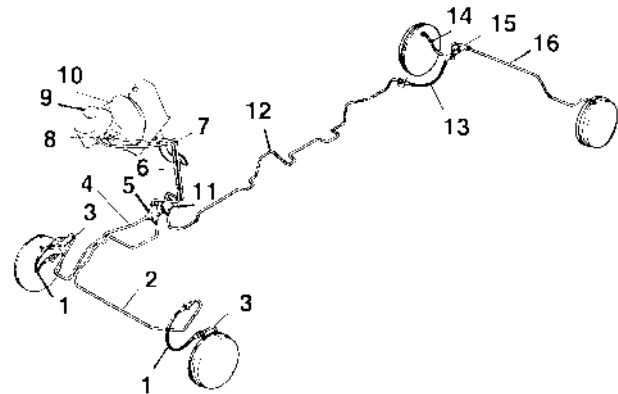
| Appl | Description | Qty | Part # |
|------------------------------------|---------------------------------------|-----------|-----------|
| RESERVOIRS | | | |
| | Reservoir, II&IIA, Replace, Plastic | 1 | *NLA 5898 |
| | Cap, Original | 1 | 6018 |
| | Brake Fluid, 12 oz. can | as needed | 2501 |
| | Brake Fluid, 1 qt. can | as needed | 2521 |
| ADJUSTOR | | | |
| | Brake Adjustor Cams, 88 | 1 | 2846 |
| | Brake Adjustor Cams, 109 | 2 | 2846 |
| BRAKE SPRINGS | | | |
| 88" | Brake Spring, Bottom | 4 | 189 |
| 88" | Brake Spring, Top | 4 | 190 |
| 107-109 | Brake Spring, Front | 4 | 671 |
| 107&109 | Brake Spring, Rear, Adjustor End I&II | 2 | 673 |
| 107&109 | Brake Spring, Rear, Cylinder End I&II | 2 | 674 |
| 109 IIA on | Brake Spring, 4&6 cyl. Rear, Top | 2 | 5730 |
| 109 IIA on | Brake Spring, 4&6 cyl. Rear, Bottom | 2 | 1853 |
| *NLA = No longer available. | | | |

| Appl | Description | Part # | Rebuild Kit # |
|---|--|--------|---------------|
| MASTER CYLINDER | | | |
| | M/C, IIA & III, Power Assist. | 3505 | 2039 |
| | Power Brake Assist Unit, IIA & III Dual Brakes | 7226 | 7226A |
| | M/C, II & IIA, | | |
| | M/C III 109" Dual Brake Assembly | 2075 | |
| | Center Valve Type, w/o Dual Brake | 5738 | 1945 |
| | M/C, II & IIA, Center Ball Type (early) | 1998 | 1963 |
| | M/C Seal Kit, '86, '88 & 107 | | |
| | w/ 10" Brakes | N/A | 1881 |
| | M/C, 109 II & IIA Center Ball Type | 1997 | 1944 |
| | M/C, 109 Center Valve Type | 4778 | 5758 |
| RESTORATION KITS: | | | |
| | BRAKE KIT 88 SERIES III COMPLETE | | 3156 |
| | BRAKE KIT 88 SERIES IIA COMPLETE | | 3157 |
| KITS INCLUDE: 4 DRUMS, FRONT & REAR SHOES, TOP, BOTTOM SPRINGS, ADJUSTING CAMS, 4 WHEEL CYLINDERS AND 2 CASTROL FLUID-12 OZ. EACH | | | |
| NOTE: CB Brake Cyl has a large nut at the end. | | | |

Brake Lines



**SINGLE LINE BRAKE SYSTEM
I, II & IIA**



**DUAL LINE BRAKE SYSTEM
IIA & III**

BRAKE LINES

| Ref # | Description | Qty | Part # |
|------------------------------------|--|------------|-------------|
| BRAKE LINES, SINGLE II & IIA | | | |
| → | BRAKE LINE KIT, IIA, SINGLE 88" | KIT | 5420 |
| | Includes: 1 - #5655, 1 - #5605, 1 - #5607, 1 - #5440, 1 - #5441, 1 - #5442, 1 - #5443, 3 - #77 | | |
| 1 | Flexible Hose, Front | 2 | 77 |
| 2 | Brake Pipe, Junction to right wheel | 1 | 5441 |
| 3 | Junction, 5-way | 1 | 6964 |
| 4 | Junction, Pipe to LH Wheel | 1 | *NLA 5440 |
| 5 | Brake Pipe, Reservoir to Master Cylinder | 1 | 5655 |
| 6 | Master Cylinder - SEE MASTER CYLINDERS | | |
| 7 | Reservoir, Brake & Clutch | 1 | *NLA 5898 |
| 8 | Cap for Metal Reservoir | 1 | 6018 |
| not shown | Washer for Cap | 1 | 7162 |
| 9 | Brake Pipe, Junction to Rear Hose, 88" | 1 | 5607 |
| 9 | Brake Pipe, Junction to Rear Hose, 109 | 1 | 5608 |
| 10 | Flexible Hose, Rear, 88" | 1 | 77 |
| 10 | Flexible Hose, Rear, 109 | 1 | 82 |
| not shown | Copper Washer Hose | 3 | 233220 |
| 11 | Brake pipe, Junction to Right Rear Wheel | 1 | 5443 |
| 12 | Junction, 3-way | 1 | *NLA 6965 |
| 13 | Brake Pipe, Junction to Left Rear Wheel | 1 | 5442 |
| 14 | Master to Junction | 1 | 5605 |
| 15 | Reservoir to Brake Master | 1 | 5655 |
| not shown | Pipe Cylinder to Cylinder, 109 | 2 | 6034 |
| BRAKE LINES - DUAL BRAKING, III | | | |
| → | BRAKE LINE KIT, III 88" | KIT | 5422 |
| | Includes: 1 - #5964, 1 - #5445, 2 - #5444, 2 - #7282, 1 - #77, 1 - #5443, 1 - #5442, 1 - #5447, 2 - #5963, 1 - #5909 | | |
| *NLA = No longer available. | | | |

| Ref # | Description | Qty | Part # |
|------------------------------------|--|-----|-----------|
| 1 | Flexible Hose, Front Wheel, IIA | 2 | 77 |
| 1 | Flexible Hose, Front Wheel, III | 2 | 5963 |
| 2 | Brake Pipe, Junction to Left Front Wheel, IIA | 1 | *NLA 5440 |
| 2 | Brake Pipe, Junction to Left Front Wheel, III | 1 | 5444 |
| 3 | Brake Pipe, Flexible Hose to Wheel Cylinder, III | 2 | 7282 |
| 4 | Brake Pipe, Junction to Right Front Wheel, IIA | 1 | 5441 |
| 4 | Brake Pipe, Junction to Right Front Wheel, III | 1 | 5445 |
| 5 | Junction, 3-way Front | 1 | 5450 |
| 6 | Brake Pipe, M/C to Junction Front | 1 | 5964 |
| 7 | Brake Pipe, M/C to Union Rear, IIA | 1 | 5448 |
| 7 | Brake Pipe, M/C to Union Rear, III | 1 | 5444 |
| 8 | Master Cylinder, Dual, Power Assisted | 1 | 3505 |
| 9 | Cap for Reservoir | 1 | 7161 |
| not shown | Sealing Washer for Cap | 1 | 7162 |
| 10 | Power Assist Unit | 1 | 7226 |
| 11 | Union, Front Brake Pipe to Rear Brake Pipe | 1 | 5909 |
| 12 | Brake Pipe, Union to Rear Hose, IIA | 1 | 5449 |
| 12 | Brake Pipe, Union to Rear Hose, III | 1 | 5447 |
| 13 | Flexible Hose to Rear Axle | 1 | 77 |
| not shown | Copper Washer Hose | 1 | 233220 |
| 14 | Brake Pipe, Junction to Right Rear Wheel | 1 | 5443 |
| 15 | Junction, 3-way | 1 | 5899 |
| 16 | Brake Pipe, Junction to Left Rear Wheel | 1 | 5442 |
| not shown | Male to Male Coupling Brake Lines | 1 | 3005 |
| not shown | Nut for #77 Brake Hose | 1 | 1504 |
| *NLA = No longer available. | | | |

